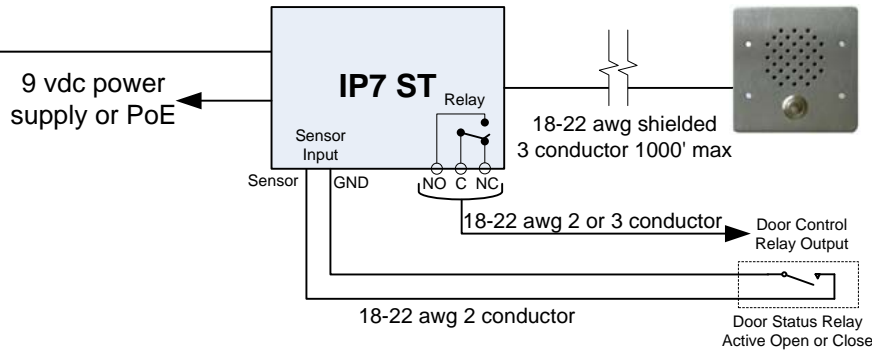


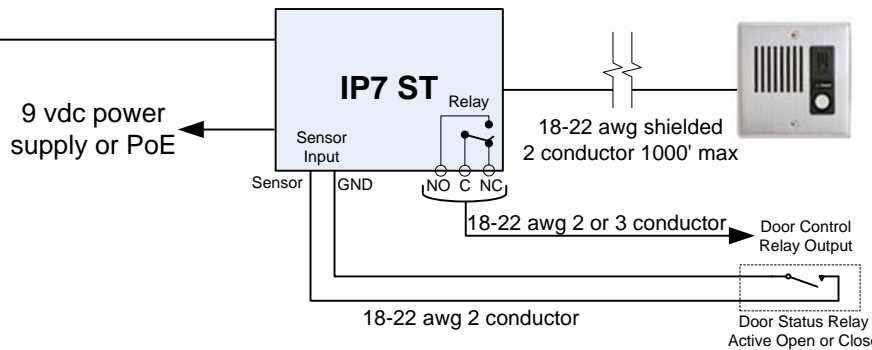
Digital Acoustics IP7 Products for Intercom Applications

NETWORK



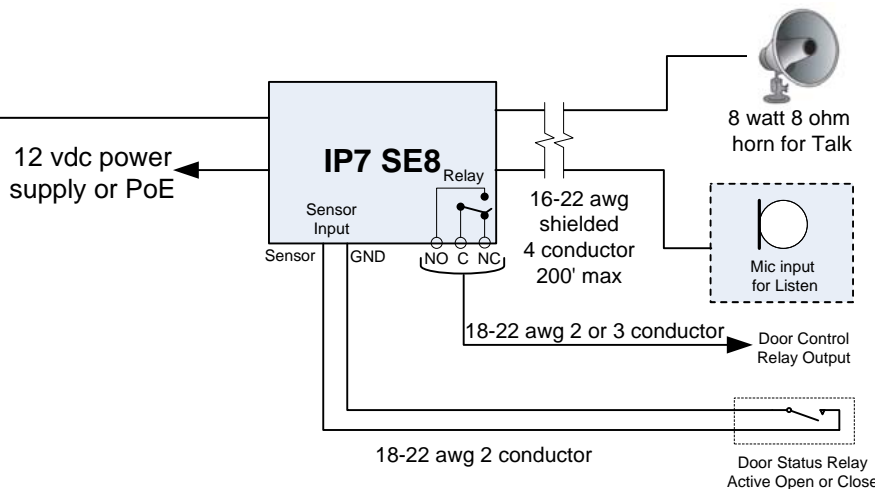
*Single Transducer (ST)
Speaker acts as microphone
for listen and speaker for talk*

**Outdoor and/or
Vandal Proof**

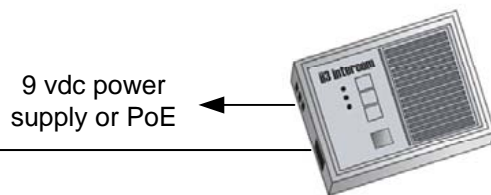


*2 wire for Aiphone
IE/IF Series*

Indoor or Outdoor



**Indoor or Outdoor
High Noise
Environment**



**Indoor Desk or Wall
Mount**

| | |
|--|------------|
| Client: | Project: |
| COMPANY: Digital Acoustics | CREATOR: |
| DATE: | PG: OF PGS |
| FILENAME: Digital Acoustics IP7 Products for Intercom Applications.vsd | |

